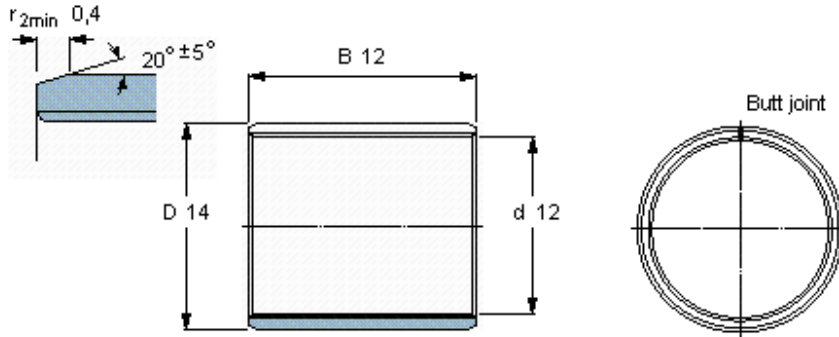


Composite dry sliding bushings, metric dimensions

Principal dimensions			Basic load ratings		Mass	Designation
d	D	B	dynamic C	static C0		
mm			kN		kg	-
12	14	12	11,6	36	0,0036	PCM 121412 E



Specific load factor K 80
Material constant K_M 480